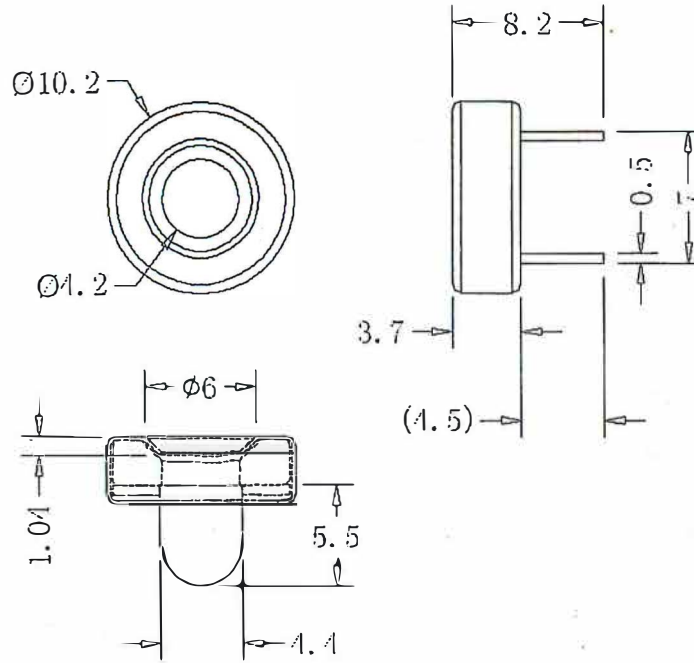



THE INFORMATION CONTAINED IN THIS DRAWING IS THE SOLE PROPERTY OF ROMAG FASTENERS, INC. ANY REPRODUCTION IN PART OR WHOLE WITHOUT THE WRITTEN PERMISSION OF ROMAG FASTENERS, INC. IS PROHIBITED.



NOTES:

MATERIALS : STEEL, BRASS , and Nd-Fe B MAGNET.

FINISH: NICKEL

ITEM NO.	PART OR IDENTIFYING NO.	NOMENCLATURE OR DESCRIPTION	MATERIAL SPECIFICATION	QTY REQD
PARTS LIST				
UNLESS OTHERWISE SPECIFIED DIMENSIONS ARE IN INCHES TOLERANCES ARE: FRACTIONS DECIMALS ANGLES + .XX+ .XX + I .XXX+XXX		CAD GENERATED DRAWING, DO NOT MANUALLY UPDATE		ROMAG 10 MBV6-5-NIC  <small>ROMED FASTENERS, INC.</small>
MATERIAL		APPROVALS	DATE	
FINISH		DRAWN	10.16.18	SIZE A
NEXT ASSY USED ON		CHECKED		
APPLICATION		RESP ENG		DWG. NO. SCALE CAD FILE: SHEET OF
DO NOT SCALE DRAWING		MFG ENG		
		QUAL ENG		REV.